

The efficient design and optics make the SLK series perfect for all type of road lighting needs. It ensures maximum reliability and security at night for both drivers and pedestrians.

Featuring innovative thermal management design and going through rigorous test, this luminaire has two major assets, exceptional performance and unbeatable value.



Superior Quality

- AC Input:** 90 ~ 305 Vac
- Surge Protection Device (SPD):** 20kA
- Colour Temperature:** 2850K~3250K
- Colour Rendering Index (CRI):** >70
- Beam Angle:** 45° x 155°
- Operating Temperature:** -30°C ~ +50°C
- Storage Temperature:** -30°C ~ +90°C
- LED Lumen Maintenance:** LM80
- Electrical Safety:** Class I
- LED Driver Compliant:** CE, IEC, SIRIM, JKR
- Heatsink material:** Aluminium Die Casting
- Luminaire Cover Material:** Clear Tempered Glass
- IP Rating:** IP66

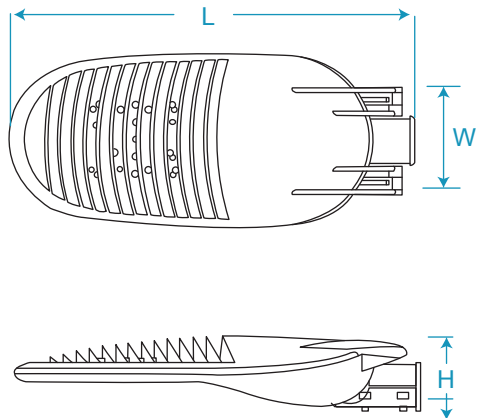


Application areas

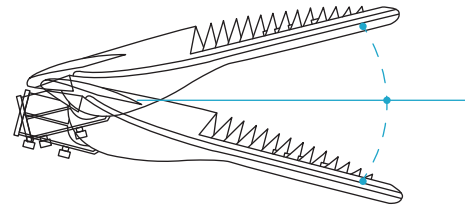
- Roadways
- Park
- Factories
- Compounds
- Petrol Station Carparks
- Community

Detail	Model	SLK-060-FPN6	SLK-090-FPN6	SLK-120-FPN6	SLK-150-FPN6	SLK-180-FPN6	SLK-210-FPN6
System Power		60W ± 5%	90W ± 5%	120W ± 5%	150W ± 5%	180W ± 5%	210W ± 5%
LED Driving Current		1,600 mA (88mA /LED)	2,100 mA (105mA /LED)	2,100 mA (105mA /LED)	2,000 mA (105mA /LED)	2,400 mA (85mA /LED)	2,800 mA (100mA /LED)
Number of LEDs		108 pcs (3030 LED)	140 pcs (3030 LED)	180 pcs (3030 LED)	280 pcs (3030 LED)	336 pcs (3030 LED)	336 pcs (3030 LED)
Initial Lumens		8,830 lm	14,950 lm	19,220 lm	24,770 lm	29,730 lm	29,730 lm
Hot Lumens		8,110 lm	11,420 lm	14,980 lm	20,140 lm	23,710 lm	23,710 lm
Luminous Efficacy		>129 lm/W	>127 lm/W	>121 lm/W	>135 lm/W	>133 lm/W	>133 lm/W
Size (L x W x H)(mm)		622 x 292 x 122	622 x 292 x 122	622 x 292 x 122	846 x 368 x 135	846 x 368 x 135	846 x 368 x 135
Weight		5.5kg	5.5kg	5.5kg	12.0kg	12.0kg	12.0kg
Photometry							

Dimensions

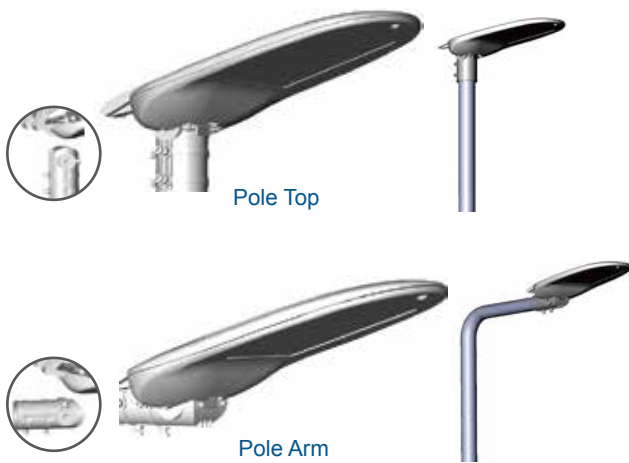


Horizontal Installation



Adjustable luminaire angle with maximum 12° tilting angle, upwards or downwards

Versatile Mounting



Spigot

